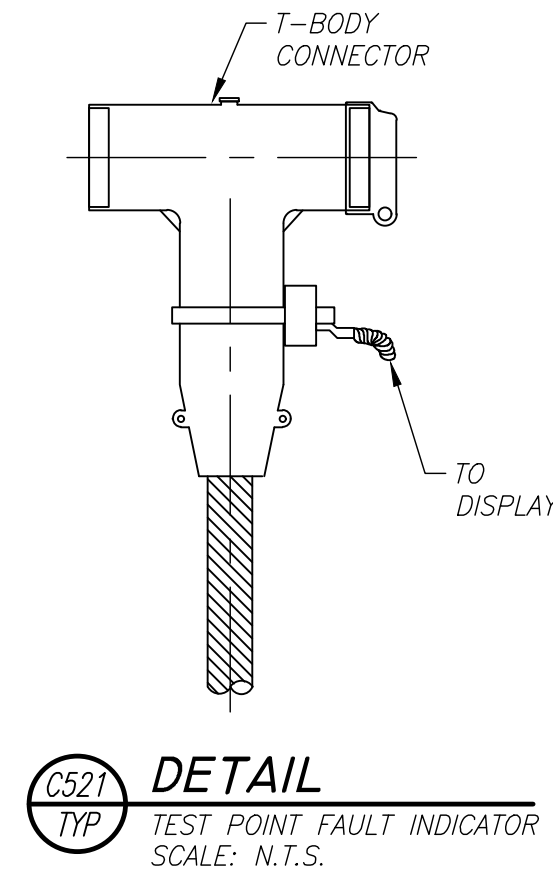
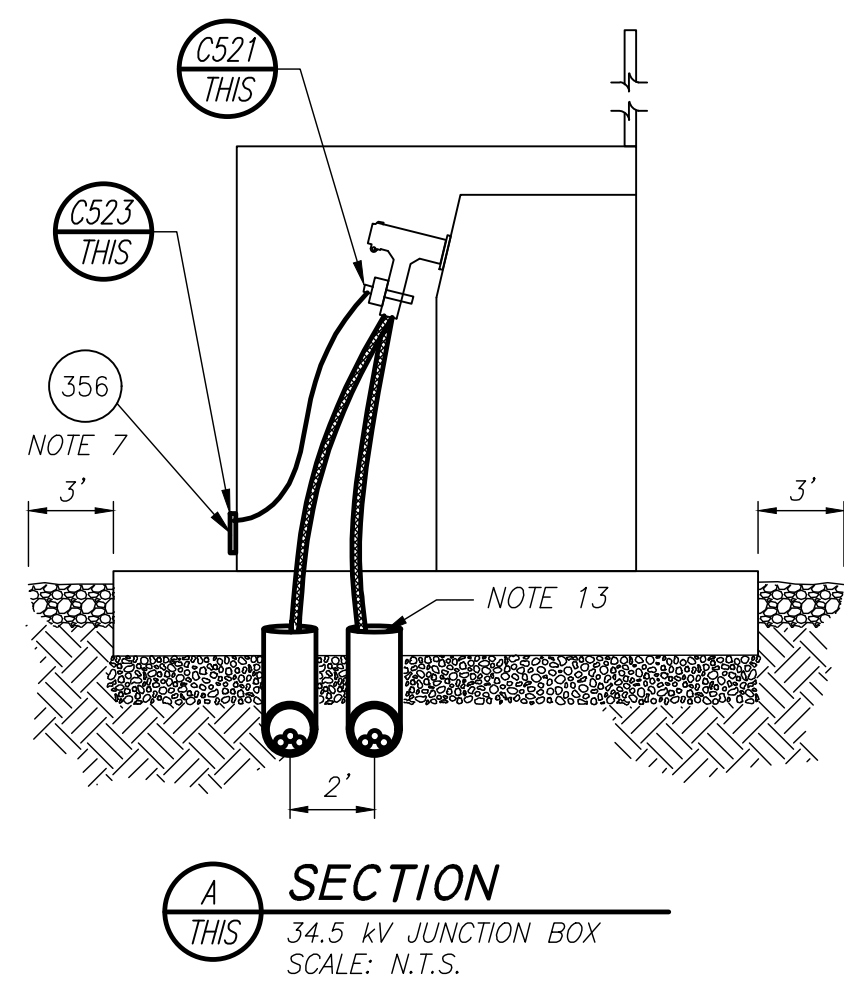
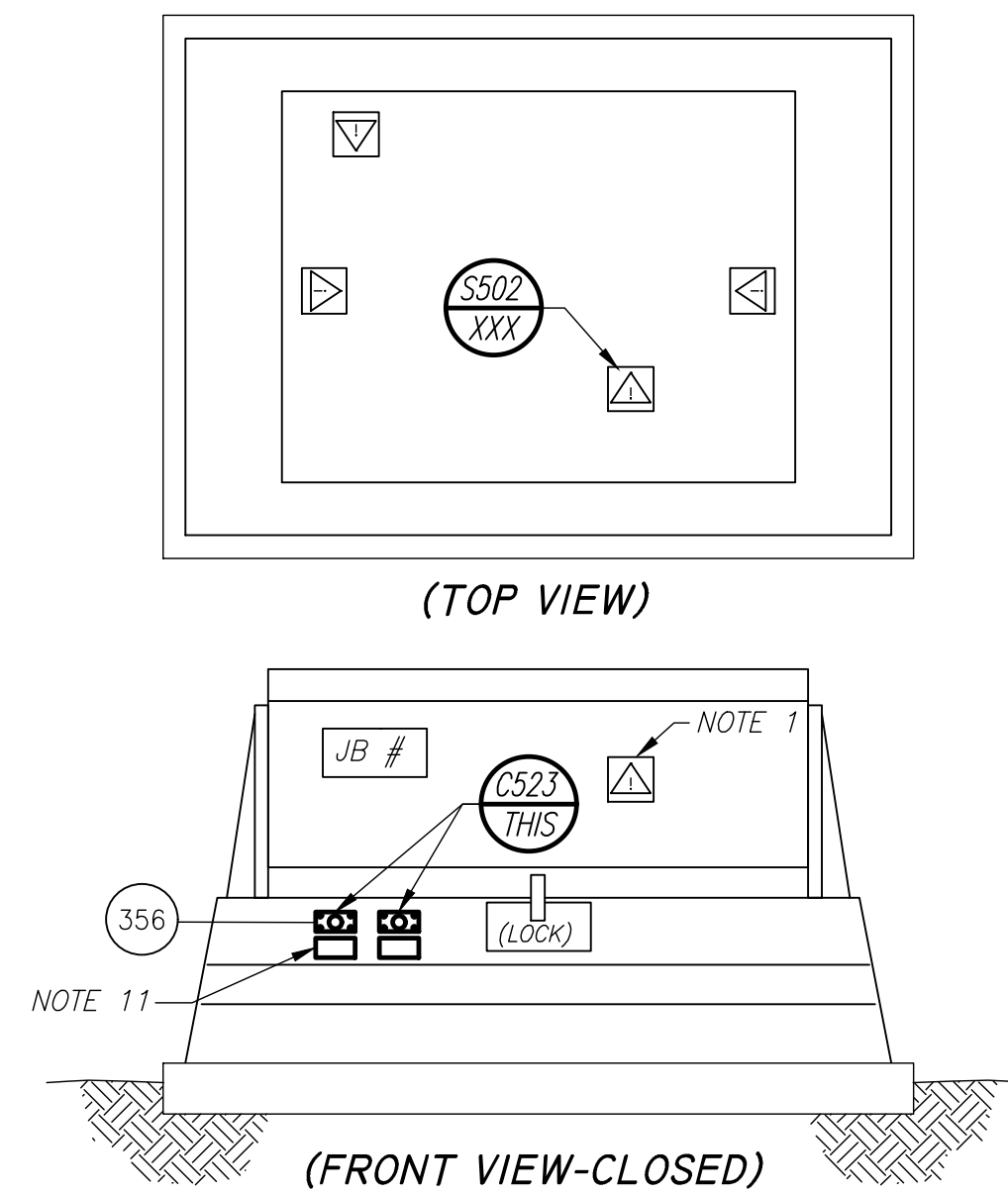
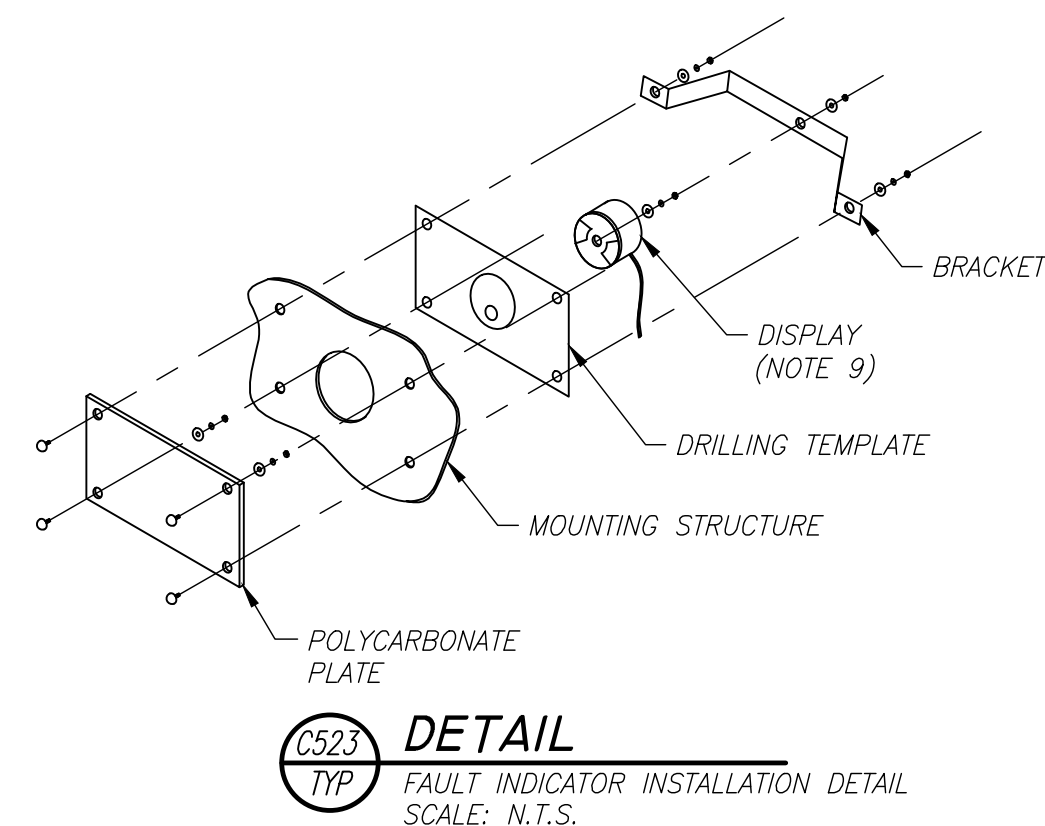
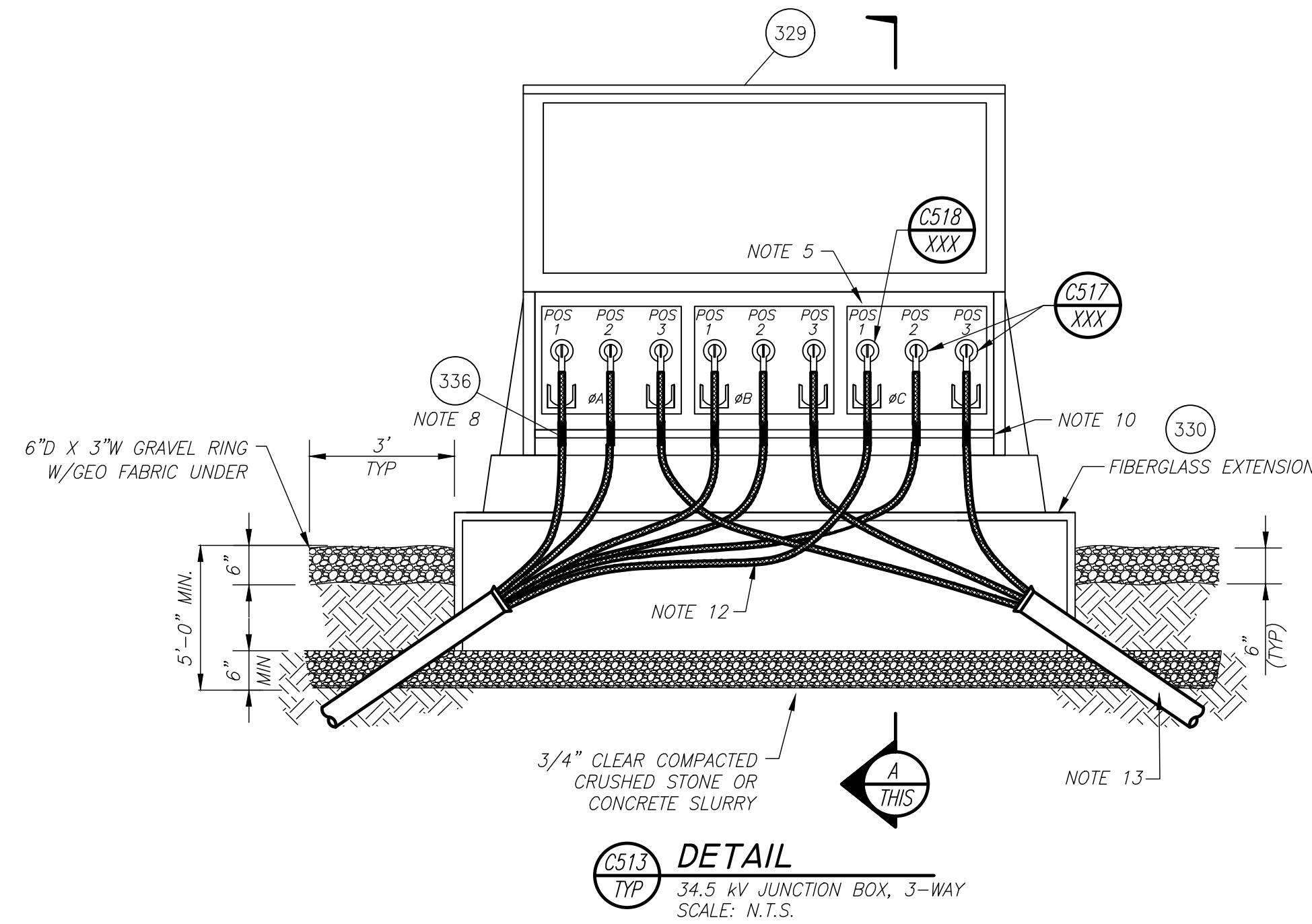
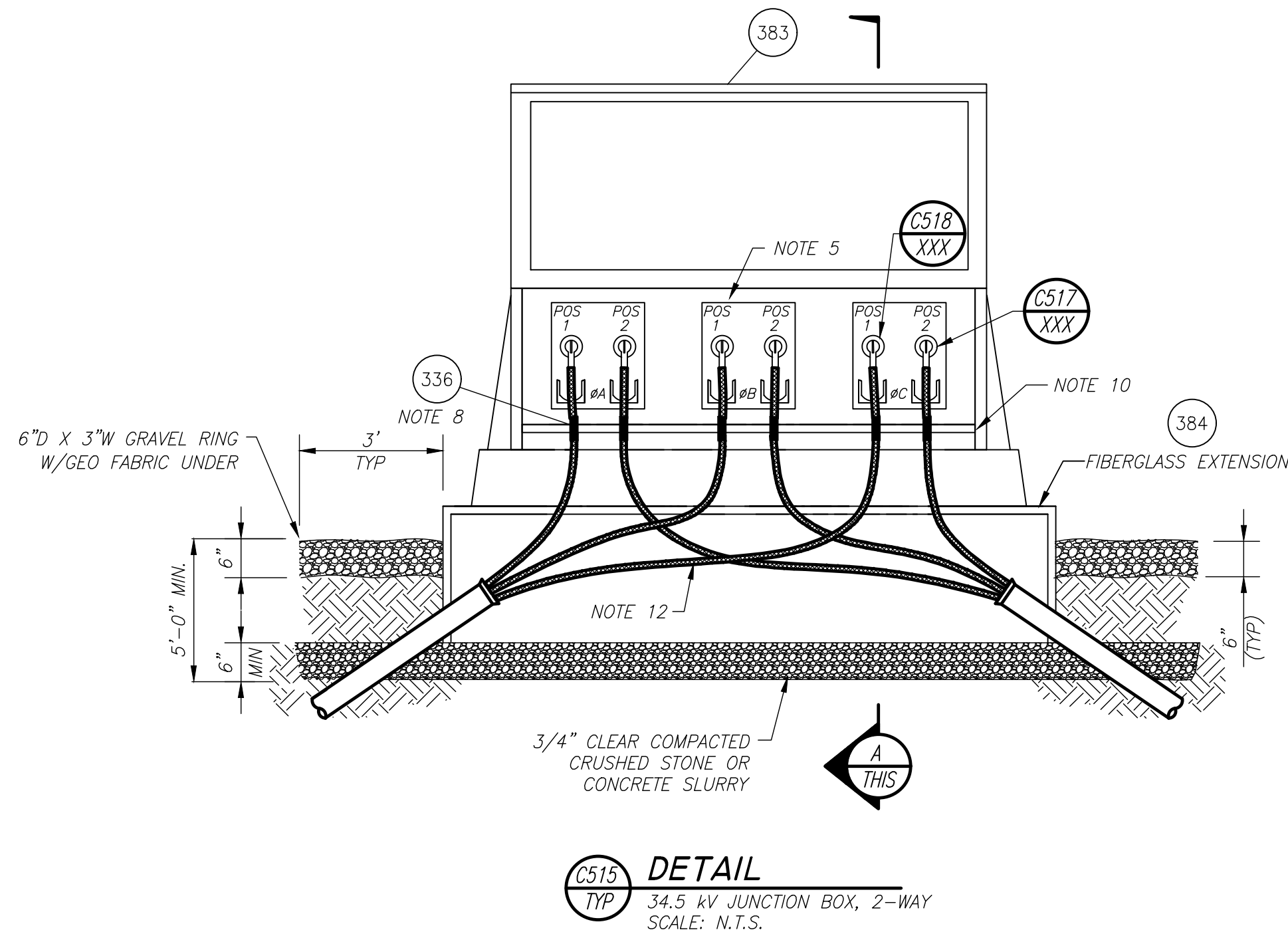


PLOTTED: 05/18/20 01:04:36 PM FILENAME: F:\apps\20001564 - Woodford Wind Energy Collection\3.0 Design\3.6 T-Line Design\20001564-2204.dwg USER: kmeyer



BILL OF MATERIAL - 2 WAY				
ITEM	QTY	UNIT	DESCRIPTION	MANUFACTURERS C/N
336	1	EA	CABLE CLAMP, 1.8"-2.5" OD (FOR 1000 & 1250)	NORDIC NCC-1825 OR EQUAL
356	AS REQ'D	EA	FAULT INDICATOR, 3 PH, TST PT MTD, 600 AMP, W/LARGE RMT IND, 1200 A TRIP	SEL # 3TPRL-1200-IRJ6W
383	1	EA	PADMOUNT JUNCTION CABINET, 35KV, 600A, 3-PHS, 68", W/ 2 POINT DEAD BREAK JUNCTIONS, W/ PARKING STANDS, W/ GND BUS	NORDIC ND-552454-MG-JB71CBXX-23564-B3A
384	1	EA	PADMOUNT JUNCTION CABINET, 36" EXTENSION FOR ND-552454 CABINET	NORDIC ND-552454-MG-36EXT

BILL OF MATERIAL - 3 WAY				
ITEM	QTY	UNIT	DESCRIPTION	MANUFACTURERS C/N
329	1	EA	PADMOUNT JUNCTION CABINET, 35KV, 600A, 3-PHS, 68", W/ 3 POINT DEAD BREAK JUNCTIONS, W/ PARKING STANDS, W/ GND BUS	NORDIC ND-683054-MG-JB71CBXX-23564-B3B
330	1	EA	PADMOUNT JUNCTION CABINET, 36" EXTENSION FOR ND-683054 CABINET	NORDIC ND-683054-MG-36EXT
336	AS REQ'D	EA	CABLE CLAMP, 1.8"-2.5" OD (FOR 1000 & 1250)	NORDIC NCC-1825 OR EQUAL
356	2	EA	FAULT INDICATOR, 3 PH, TST PT MTD, 600 AMP, W/LARGE RMT IND, 1200 A TRIP	SEL # 3TPRL-1200-IRJ6W

NOTES

- WARNING LABEL TO BE SET ON ALL SIDES OF CABINET.
- INSTALL CABLES AS FOLLOWS:
 2&3 WAY: POS 1 COLLECTION CIRCUIT TO SUBSTATION
 2&3 WAY: POS 2 LATERAL CIRCUIT FROM TURBINES
 2&3 WAY: POS 3 LATERAL CIRCUIT FROM TURBINES
- REFERENCE DRAWING XXX FOR VEHICULAR PROTECTION.
- LATERALS THAT RUN PARALLEL TO EACH OTHER MUST BE SPACED PER DRAWING XXX.
- POSITION 1 FOR ALL PHASES SHALL FEATURE LOAD BREAK REDUCING TAP PLUG. REFERENCE DRAWING XXX.
- ALL CABLES MUST HAVE ENOUGH SLACK LENGTH FOR 2 FUTURE RE-TERMINATIONS.
- FAULT INDICATORS TO BE INSTALLED ON POSITIONS 2, 3 (FOR 3 WAY ONLY.)
- FOR 1000 kcmil AND 1250 kcmil CABLES, CONTRACTOR SHALL SELECT PROPER CABLE BRACKET BASED ON CONDUCTOR SIZE.
- MOUNTING OF FAULT INDICATOR TO JUNCTION BOX PAD SEE DETAIL C523 THIS SHEET FOR PLACEMENT OF DISPLAY.
- CONTRACTOR SHALL PROVIDE MOUNTING SUPPORT BRACKET.
- UNDER EACH FAULT INDICATOR DISPLAY, LABEL SHALL READ "FAULT INDICATOR TO TURBINE TXX".
- MIN 20' LOOP LEFT UNDER JUNCTION BOX.
- CONDUITS FOR 34.5 kV POWER CABLES, LENGTHS AS REQUIRED. SIZE & QUANTITY PER CABLE INFORMATION ON SINGLE LINE DIAGRAM, DRAWINGS XXX-XXX. 8" CONDUIT TO BE USED FOR 1000 KCMIL CABLE AND LARGER, 6" CONDUIT FOR 500 KCMIL & 4/0 AWG CABLE.



COPYRIGHT © 2020 ATWELL, LLC
 THIS DRAWING IS A COPYRIGHTED INSTRUMENT OF SERVICE OF ATWELL, LLC. ANY RE-USE OR COPYING OF ANY PORTION OF THIS DRAWING WITHOUT WRITTEN PERMISSION FROM AN AUTHORIZED EMPLOYEE OF ATWELL, LLC IS STRICTLY PROHIBITED. ONLY DRAWINGS MARKED "FOR CONSTRUCTION" AND CONTAINING AN ORIGINAL P.E. STAMP AND SIGNATURE SHALL BE USED FOR CONSTRUCTION. ANY MEDIA TRANSMITTED ELECTRONICALLY SHALL NOT BE CONSIDERED A CERTIFIED DOCUMENT.

ST: REG: EXP:



REV	DESCRIPTION	ENG	DWN	CHK	DATE	ENG: S. PERRIE
A	CONCEPTUAL DESIGN	SGP	KKM	SGP	05/12/20	DWN: K. MEYER
						CHK: S. PERRIE
						APP: S. PERRIE
						DATE:

PANTHER GROVE WIND, LLC

35kV JUNCTION BOX

SCALE:	PROJECT NUMBER	DRAWING	REV
AS SHOWN	20001564	2204	A

AS PLOTTED ON ARCH-D PAPER FORMAT, PLOT SCALE=1:1